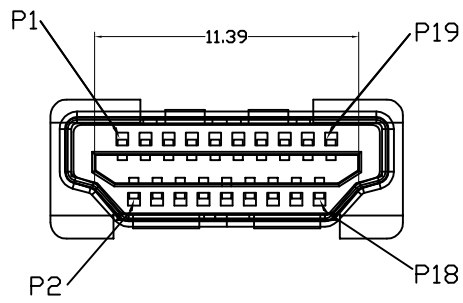
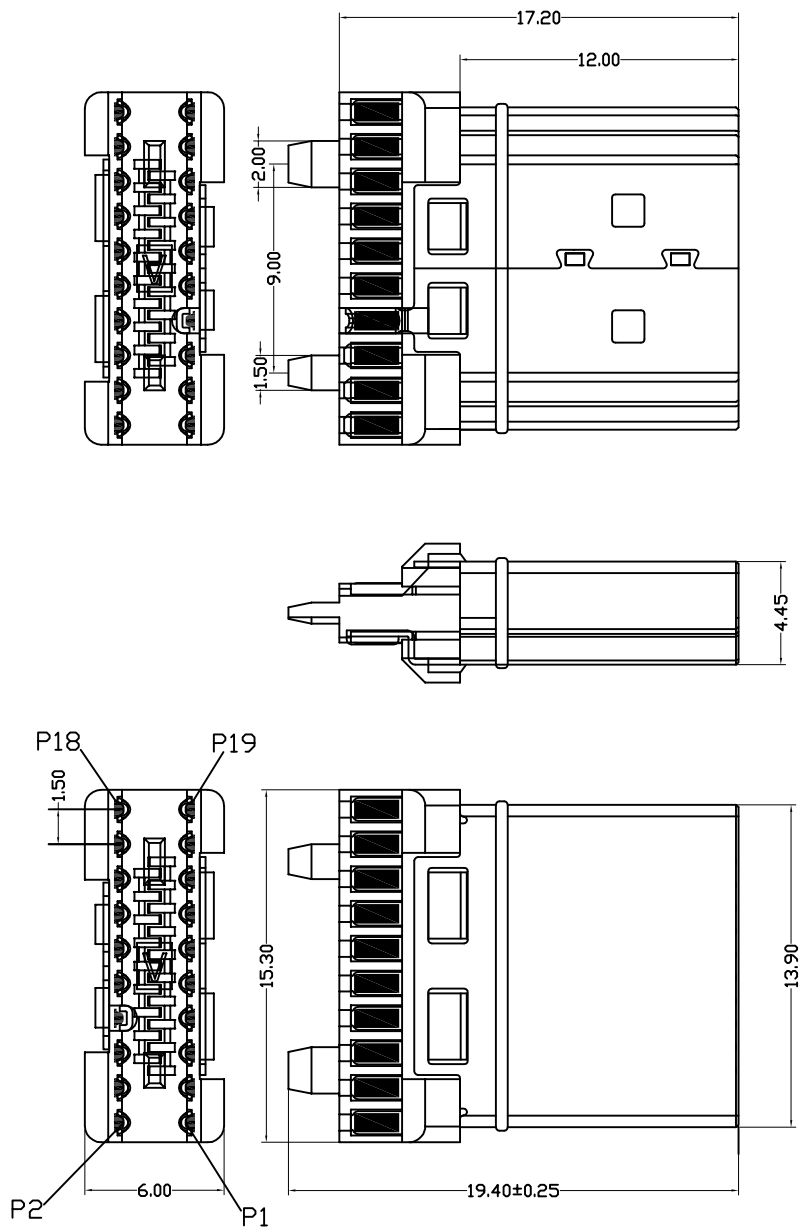


REV.	ZONE	DESCRIPTION	DESIGN	DATE
A		初版发行	Jack	09.05.05

DNOTES:  
 SPECIFICATION:  
 CONTACT CURRENT RATING:0.5 AMPERES.  
 DIELECTRIC WITHSTANDING VOLTAGE:AC 300V R. MS.  
 INSULATION RESISTANCE:100MΩ MIN.  
 CONTACT RESISTANCE:30mΩ MAX.  
 ENMRONMENTAL:  
 OPERATING TEMPERATURE:-20° C - + 85° C.  
 MATERIAL:  
 INSULATOR:HI-TEMP PALSTIC UL 94V-0.  
 CONTACT:BRASS T=0.25mm.  
 SHELL:SPCC T=0.25mm.  
 PLATING:  
 Contact: Au Plated on contact area  
           Tin Plated on solder area  
           Nickel underplating over all  
 Shell: Nickel OR Au Plated



PIN NO	SINGAL NO	PIN NO	SINGAL NO
PIN 1	TMDS Data2+	PIN 2	TMDS Data2 Shield
PIN 3	TMDS Data2-	PIN 4	TMDS Data1+
PIN 5	TMDS Data1 Shield	PIN 6	TMDS Data1-
PIN 7	TMDS Data0+	PIN 8	TMDS Data0 Shield
PIN 9	TMDS Data0-	PIN 10	TMDS Clock+
PIN 11	TMDS Clock Shield	PIN 12	TMDS Clock-
PIN 13	CEC	PIN 14	Reserved(N.C)
PIN 15	SCL	PIN 16	SDA
PIN 17	DDC/CEC Ground	PIN 18	+5V Power
PIN 19	Hot Plug Detect		

Unless otherwise specified tolerances are

X.X	±0.20	DRAW NO.	ZQ-09-0055	DATE	DRAW NAME:
X.XX	±0.15				
X.XXX	±0.10	DWN	Jack	09.05.05	HDMI A TYPE 公头 20P 自动焊加锡
X*	±2.0°	CHK			P/N :
X.X*	±1.0°	APVD			

Coorle Technology

 Third Angle Project	FINISH		UNIT	SCALE	WEIGHT	REV	SHEET
	MATERIAL		mm	1:1		A	1 OF 1